

## Installation Instructions

# Panel Lights

### Warning

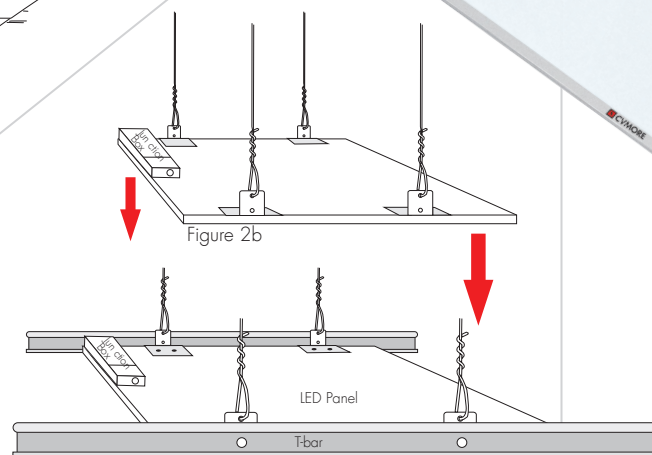
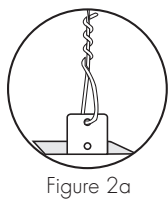
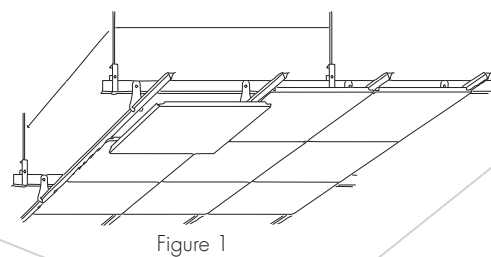
- Recessed fixtures without independent safety wires to the structure above can become dislodged and fall. Fixtures with proper safety wires may fall from the grid and dangle from the safety wire but will not threaten occupants.
- Unless secured to a properly braced ceiling grid, relative movement between the light fixture and the ceiling may damage the ceiling finishes, ceiling grid, wiring, or the light fixture. Heavy fixtures that are hung independently but not laterally braced may swing independent of the ceiling and damage the ceiling system.

### Disclaimer

It is the responsibility of the installer to ensure that the LED panels are being properly installed in accordance with all applicable National and/or Local building codes.

### Recessed Mounting

1. Turn off before installing.
2. Remove the ceiling panel or Fluorescent fixture and disconnect wiring and any mounting brackets that were used if any. (Figure 1)
3. Feed four slack #12 safety wires through top hole of the L-brackets (Figure 2a and Figure 2b). Note: Anchors are not included. Installer must determine and provide appropriate anchoring system depending on ceiling type at each job site.



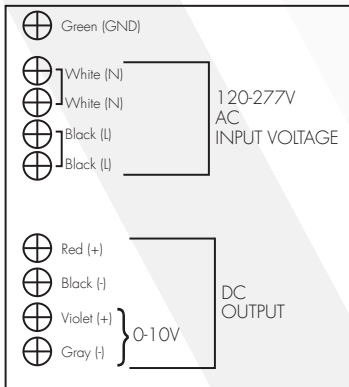
### NOTE:

This document should never be considered a substitute for any provision of a regulation or state and/or local code. This guide contains important information about the installation and operation of your new Slim LED panel, please read this entire user guide to fully understand and safely use this product.

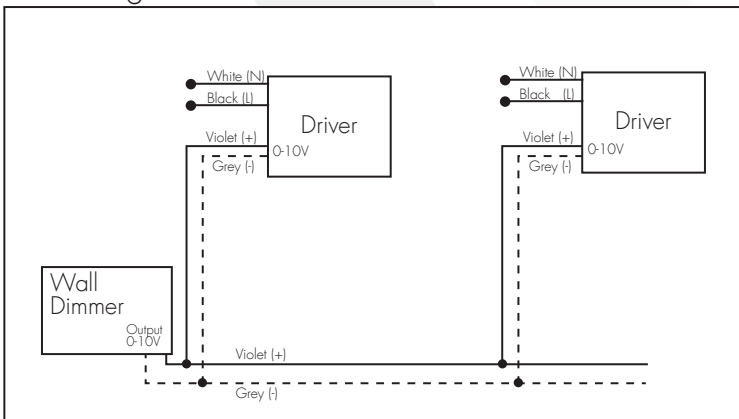
## Installation Instructions

## Panel Lights

### Quick Disconnect Terminal Block



### Wire Diagram Of Dimmer Connection



### Warning Risk of Electric Shock

Disconnect power before performing installation or maintenance.

Verify that supply voltage is correct by comparing it with the luminaire label information.

Make all electrical grounded connections in accordance with the latest edition of the National Electric Code (NEC) and applicable local code requirements.

If the supply wire is damaged. It must be replaced by the manufacturer or its service agent or a similar qualified person in order to avoid a hazard.

All wiring connections should be capped with UL approved wire connections.

To reduce the risk of re or electrical shock, do not expose this apparatus to rain or moisture.



### Warning Risk of Personal Injury

Wear gloves to prevent cuts or abrasions when removing from carton, handling, installing, and maintaining this product.

The product must be installed by a qualified electrician in accordance with the National Electrical Code and corresponding local codes.

Minimum 90°C supply conductors. Consult a qualified electrician to ensure correct branch circuit conductor.

Dauer assumes no responsibility for claims arising out of improper or careless installation or handling of this product

For recessed installation: Access above ceiling required. Inherently protected. Vapor barrier must be suitable for 90°C. Type IC.

### Master/Satellite Definition

Each panel can be wired as a Master or as a Master/Satellite panel. For Master/Satellite mounting, one fixture in the room should be wired as a Master, and the other(s) in the room should be wired as Satellites.

Up to 20 panels can be linked together. Total power of LED Panels shall not exceed the capacity of the dimmer.

### Building Automation Compatible

Multiple panels can also be controlled from a single source. The panels can be linked to building automation systems.